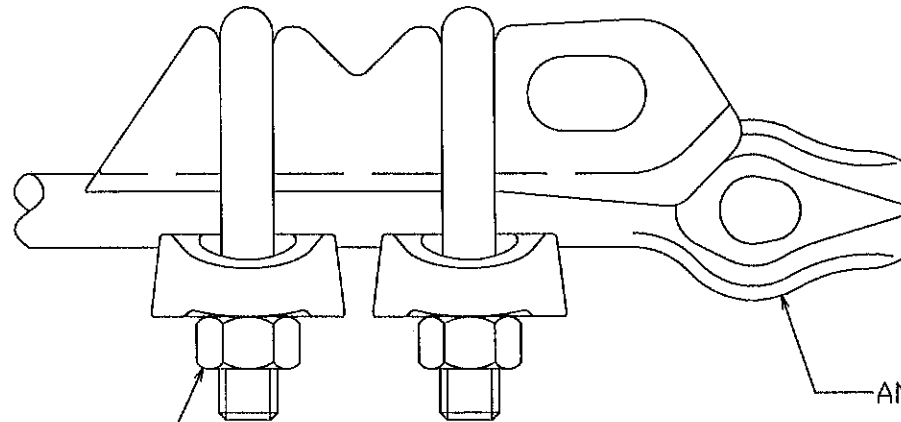


--NOTES--

1. CLAMP MAT'L: DUCTILE IRON, HOT DIP GALVANIZED PER ASTM A153.
2. FOR 5/8" DIA - 1" DIA ANCHOR RODS.



1/2-13UNC U-BOLTS
AND HEX NUTS
(GALVANIZED STEEL)

ANCHOR ROD

CATALOG NUMBER: BB155A

CHANCE
TOLERANCE CHART



HUBBELL POWER SYSTEMS

CONFIDENTIAL: THIS DRAWING AND ITS CONTENTS ARE CONFIDENTIAL AND THE EXCLUSIVE PROPERTY OF HUBBELL POWER SYSTEMS. NO PUBLICATION, DISTRIBUTION OR COPIES MAY BE MADE WITHOUT THE WRITTEN CONSENT OF HUBBELL POWER SYSTEMS. HUBBELL POWER SYSTEMS UNPUBLISHED. ALL RIGHTS RESERVED UNDER THE COPYRIGHT LAWS.

TITLE		AUXILLARY EYE FOR ANCHOR ROD		REV
SIZE	DWG NO.	CAT / PART / ASSY NO.		
SB	SABB155A	BB155A	A	
DO NOT SCALE THIS DRAWING	DRN BY QUALLS	DATE 03/12/96	SHEET 01 OF 01	